

16W Constant Current -LS Series

LS-16-XXX LI1



■ Approve



■ Features

- Class II, SELV, independent
- Input Voltage 220-240VAC
- Protections: SCP/OLP/OVP
- Power Factor 0.9C
- Efficiency $\geq 85\%$
- 5 years warranty

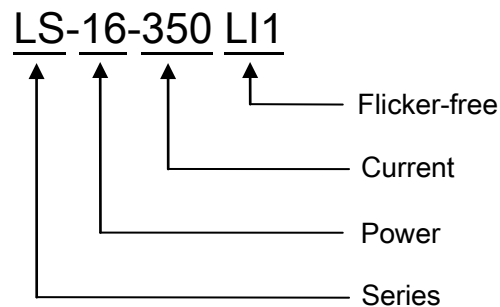
■ Applications

- LED panel
- LED spot light
- LED down light
- COB light

■ Description

LS-16-XXX LI1 is a 16W constant current LED driver with 300 to 500mA output current. With its compact dimensions from 100 x 38 x 25mm it is easy to integrate in LED Panel, spot, down lights and COB lights. To ensure trouble-free operation, protection is provided against output short circuit and over Load.

■ Model code



16W Constant Current -LS Series

LS-16-XXX LI1

■ Specification

Input	Rated input voltage	220-240VAC				
	Range of input voltage	176-264VAC				
	DC voltage range	176-280V				
	Frequency(Hz)	0/50/60 Hz				
	Power Factor	0.9C@Full Load,240VAC				
	Input Current max	0.12A MAX. @Full Load,176VAC				
	Start-up time	< 0.5S				
	Unload Power Consumption	≤0.5W				
	Inrush Current	20A Max.				
	THD	14% Typ.				
	Leakage Current	< 0.5mA(240VAC)				
Output	Constant Current Max. *Note.3	350mA	400mA	450mA	...	700mA
	Unload voltage Max.	56VDC	50VDC	46VDC	...	33VDC
	Voltage Range(VDC)	20-46VDC	24-42VDC	21.5-36VDC	...	14-23VDC
	Rated power	16.1W Max.	16.8W Max.	16.2W Max.	...	16W Max.
	Current Accuracy	±5%				
	Voltage Regulation	±3% @Full Load				
	Load Regulation	±5%				
	Hold-up Time	1s max.@Full Load				
	Ripple& Noise *Note.2	≤21mAp-p	≤24mAp-p	≤27mAp-p	...	≤42mAp-p
	Efficiency(Typ.)	≥85%				
Protection	Over Load Protection	103-120% Protection type: Auto Resume				
	Over Voltage Protection	> 56VDC	> 50VDC	> 46VDC	...	> 33VDC
	Short circuit Protection	Protection type: Auto Resume				
	Over Temperature protection	NA				
Environment	Operating Temperature	-20°C...+45°C				
	tc	80°C				
	Storage Temperature	-25°C...+60°C				
	Life time	> 30,000h@45°C				
	Humidity	10%-90%RH				
Others	Dimension	100X38X25(LXWXH)mm				
Safety & EMC	Safety standards	EN 61347-1; EN61347-2-13;				
	Withstand voltage	Input-Output : 3750V/5mA/1min				
	Isolation resistance	Input-Output : ≥4MΩ@500VDC				
	EMI	EN55015; EN61000-3-2 Class C; EN61000-3-3				
	EMS	EN 61547; EN 61000-4-2; EN 61000-4-5 —1000V;				
Note	1.All parameters NOT specially mentioned are measured at 240VAC input , full load and 25°C of ambient temperature. 2.Ripple & Noise are measured at 20MHz of bandwidth by using a 300mm twisted pair-wire terminated with a 0.1uF & 47 uF parallel capacitor. 3.Output current can be 390mA or from 300mA to 700mA and increasing in multiples of 50mA. Please see Model list below and contact EAGLERISE for details.					

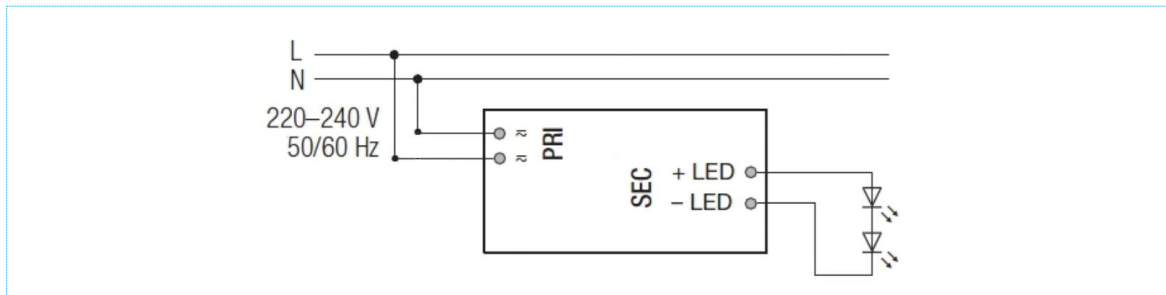
16W Constant Current -LS Series

LS-16-XXX LI1

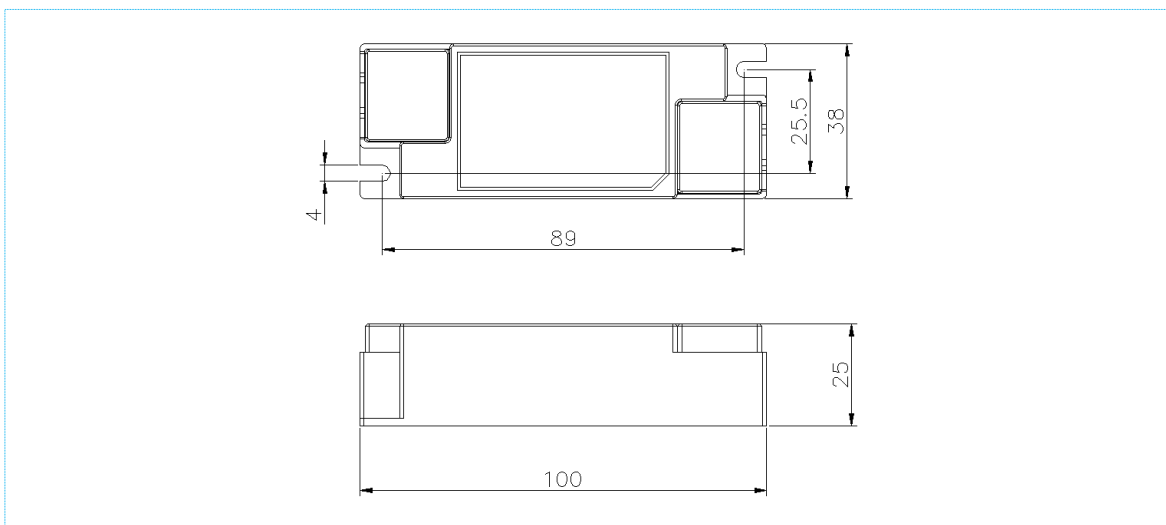
Model list

No.	Model number	Input			Output			P(W)
		Voltage (VAC)	Current (A)	Frequency (Hz)	Constant current (mA)	Normal working voltage (VDC)	No load working voltage (VDC)	
1	LS-16-300 LI1	220-240	0.12	50/60	300	20-46	56	13.8
2	LS-16-350 LI1	220-240	0.12	50/60	350	20-46	56	16.1
3	LS-16-390 LI1	220-240	0.12	50/60	390	24-42	50	16.4
4	LS-16-400 LI1	220-240	0.12	50/60	400	24-42	50	16.8
5	LS-16-450 LI1	220-240	0.12	50/60	450	21.5-36	46	16.2
6	LS-16-500 LI1	220-240	0.12	50/60	500	19-32	42	16
7	LS-16-550 LI1	220-240	0.12	50/60	550	18-30	40	16.5
8	LS-16-600 LI1	220-240	0.12	50/60	600	16-27	37	16.2
9	LS-16-650 LI1	220-240	0.12	50/60	650	15-25	35	16.3
10	LS-16-700 LI1	220-240	0.12	50/60	700	14-23	33	16.1

Connection diagram



2D diagram

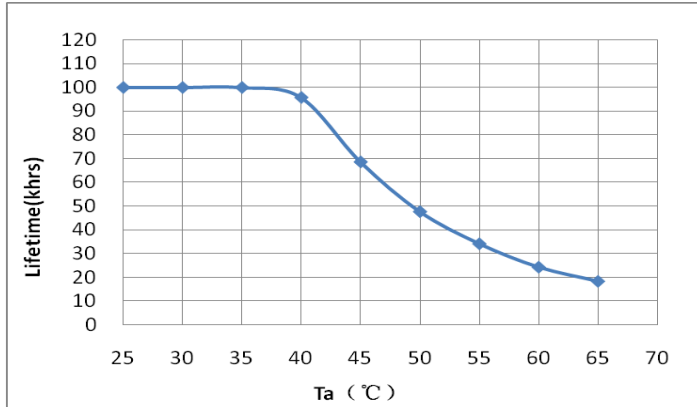


16W Constant Current -LS Series

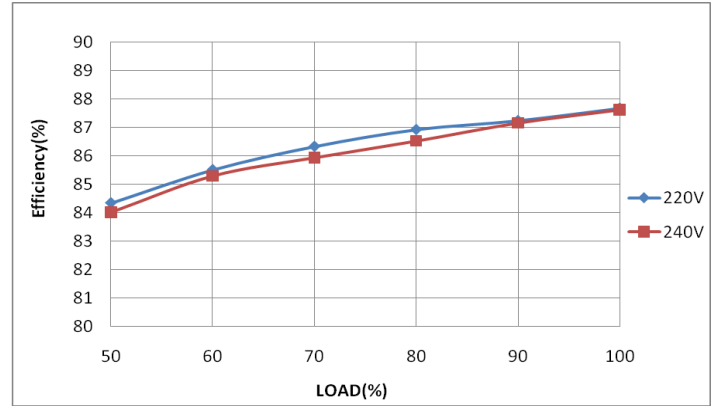
LS-16-XXX LI1

■Curve for LS-16-350 LI1

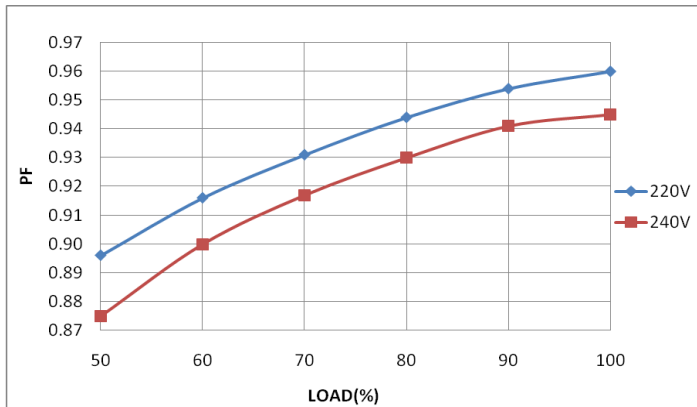
Lifetime vs. Ambient Temperature Curve



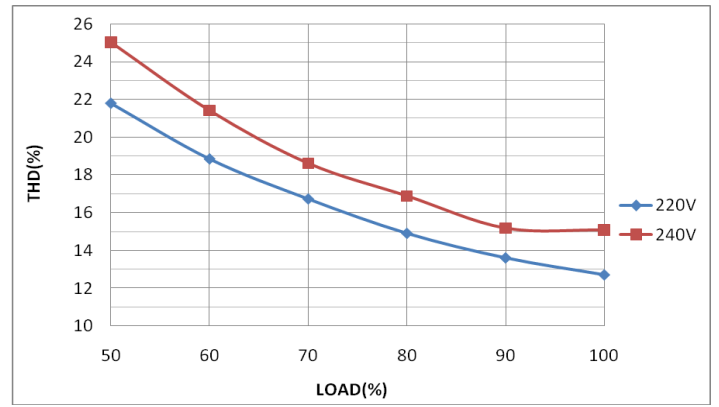
Efficiency vs. Load



Power Factor Characteristics



THD vs. Load



■Operating window

